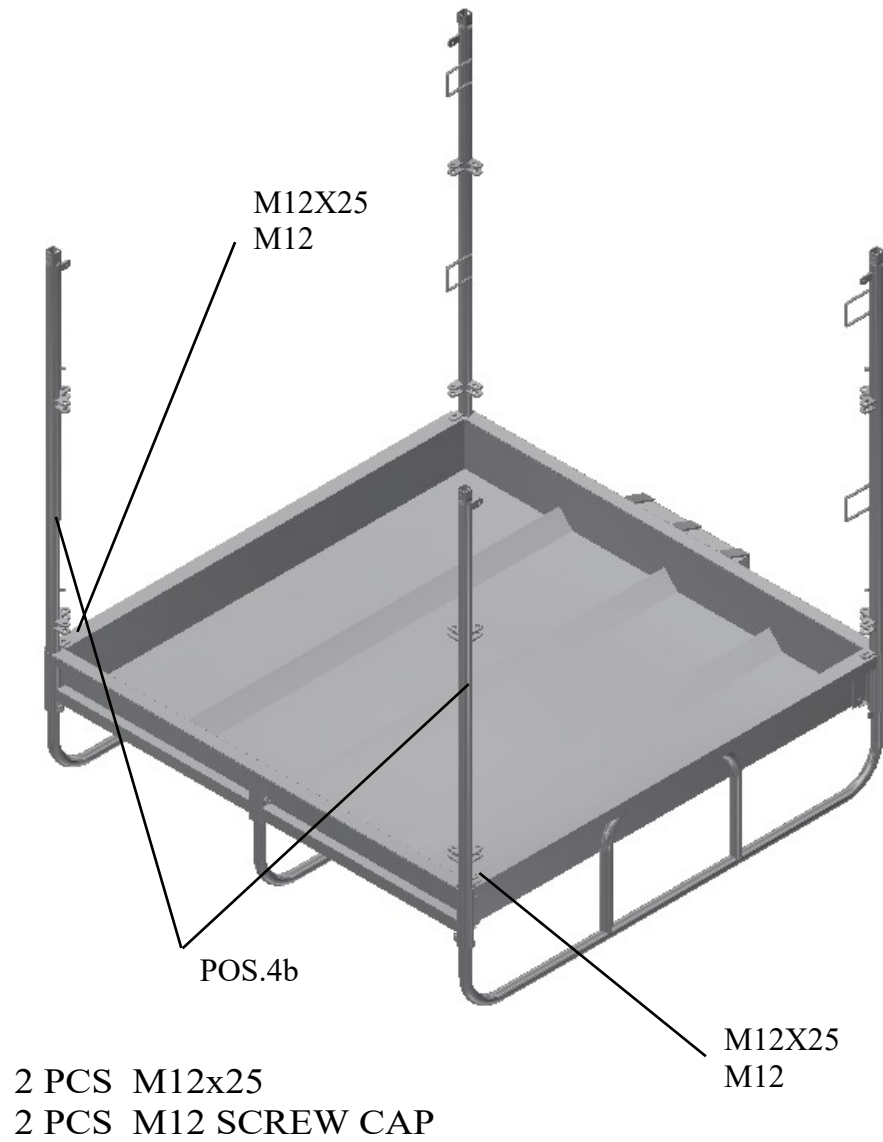


POSTS INSTALLATION



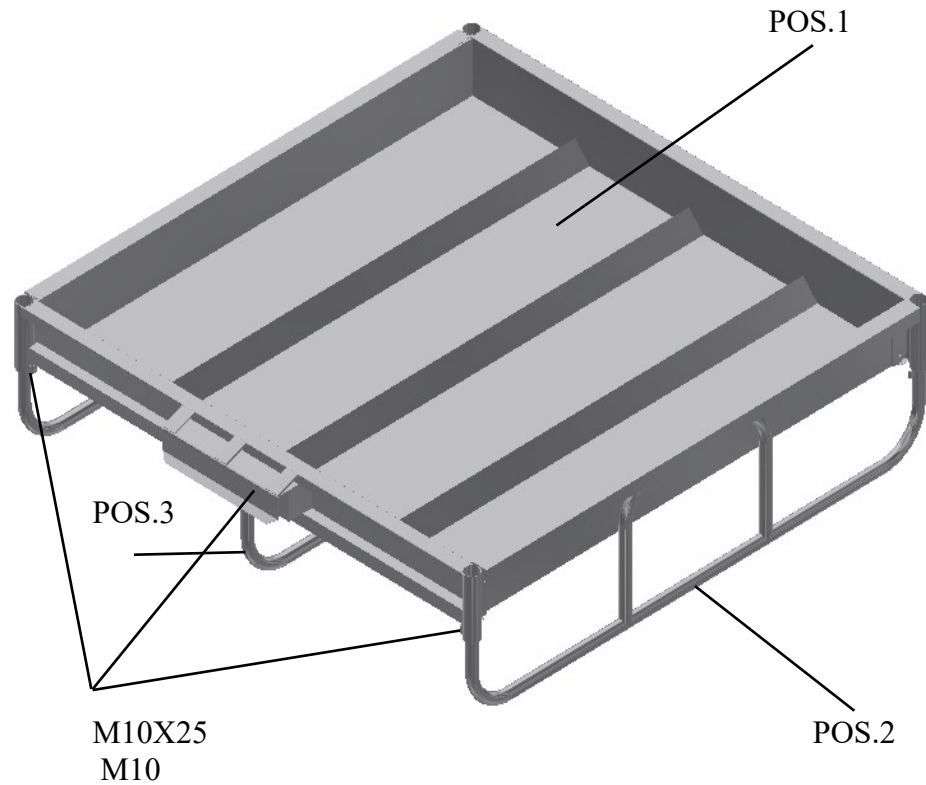
4

INSTALLATION INSTRUCTIONS Feeding rack M4/12



1

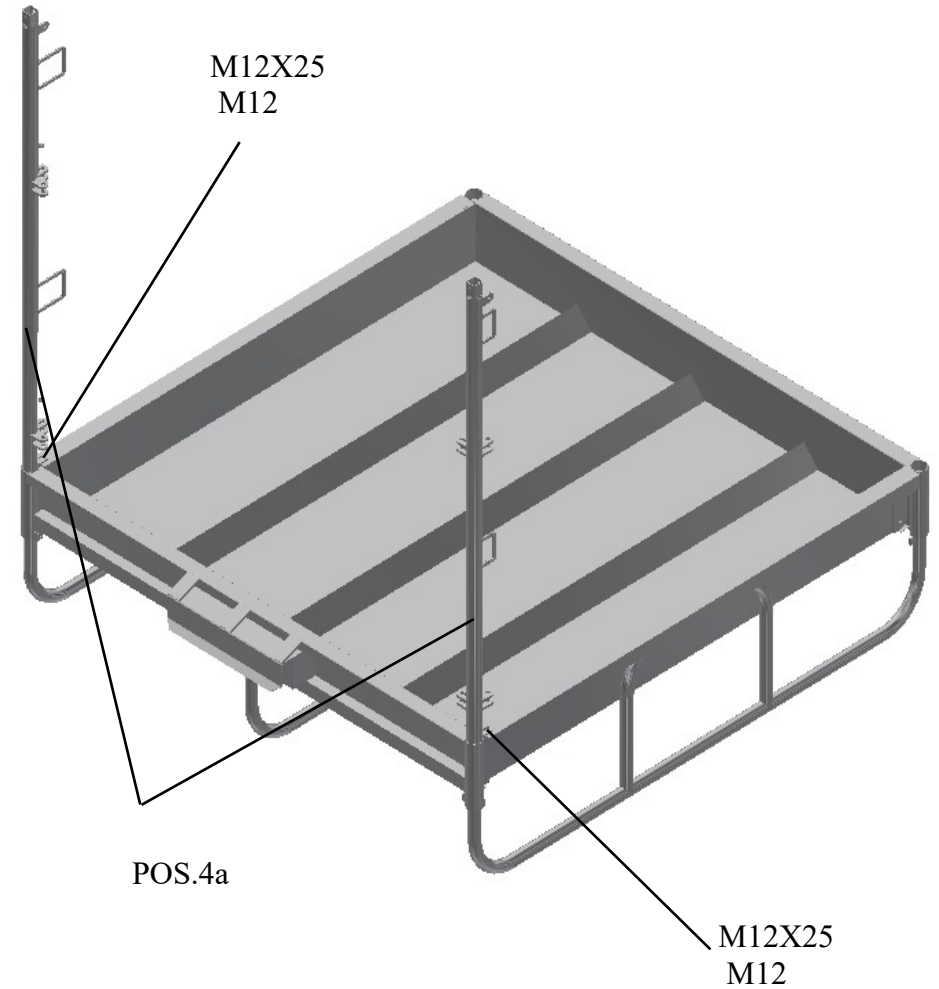
BOBS INSTALLATION



6 PCS M10x25
6 PCS M10 SCREW CAP

2

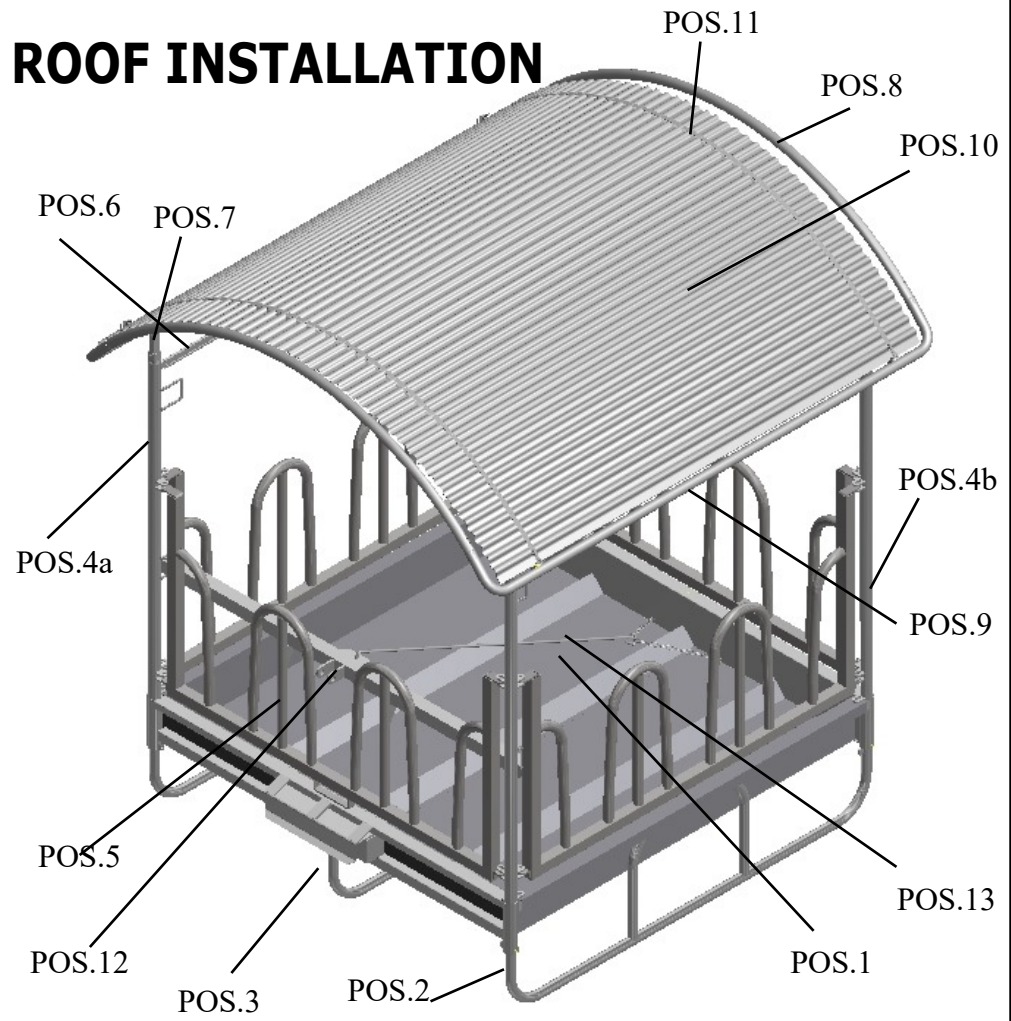
POSTS INSTALLATION



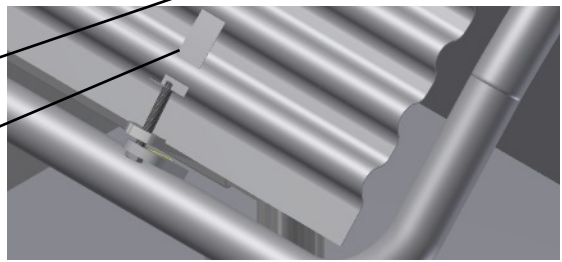
2 PCS M12x25
2 PCS M12 SCREW CAP

3

ROOF INSTALLATION

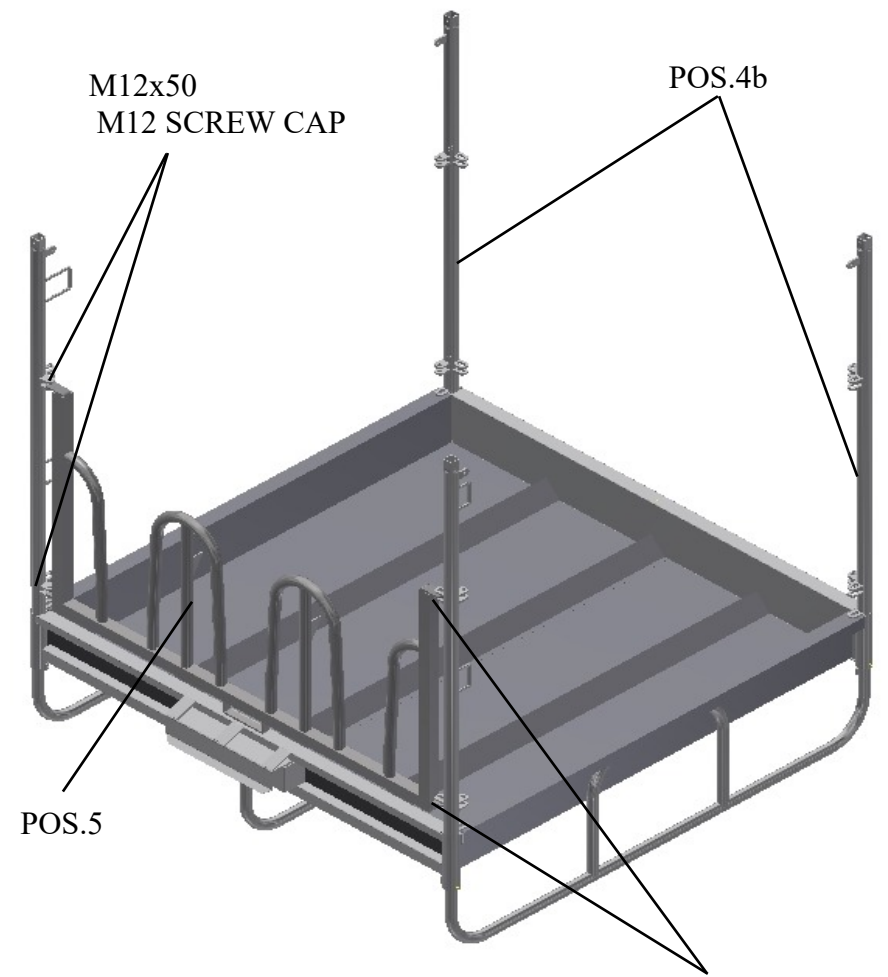


- 2 PCS BELT
- 4 PCS M8X60
- 8 PCS M8



8

SIDE INSTALLATION

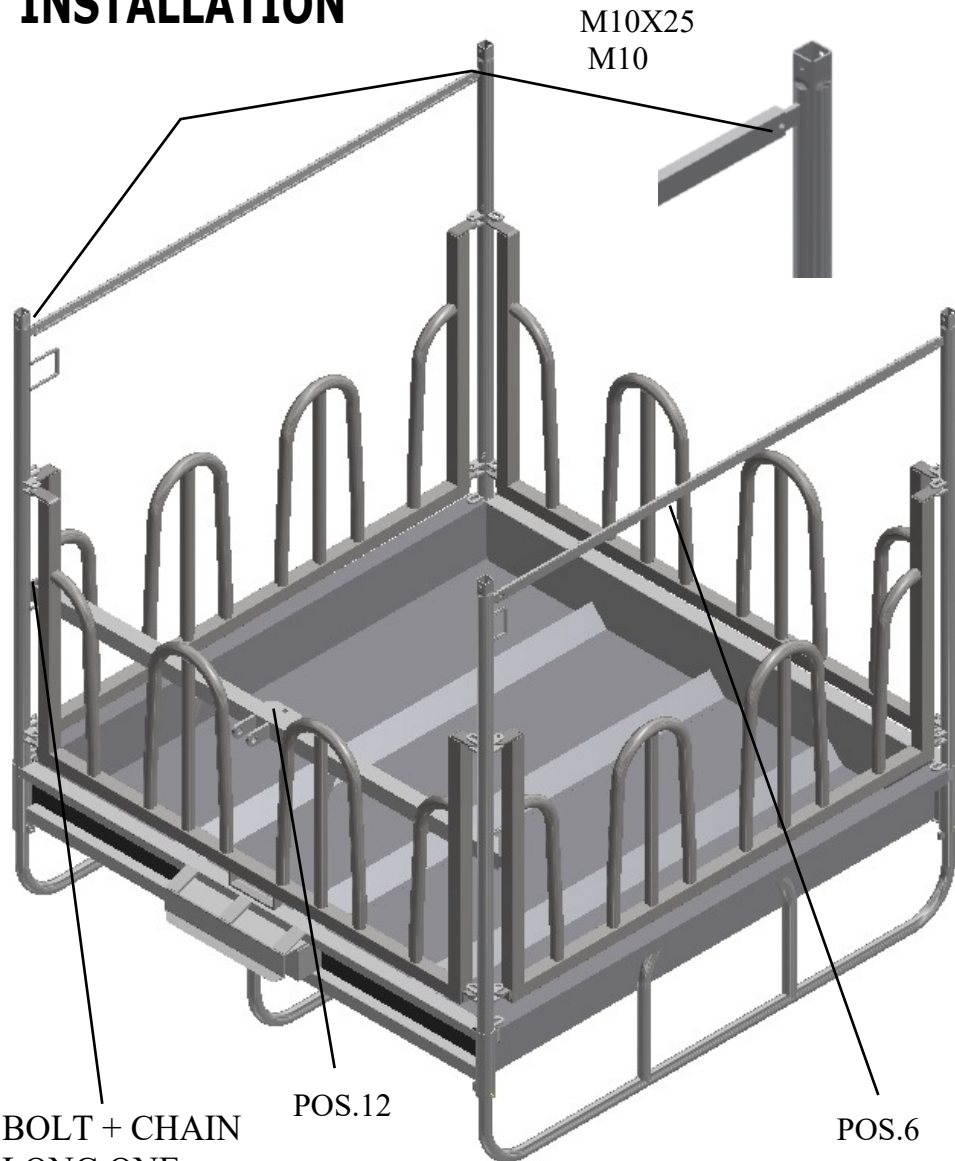


- 8 PCS M12x50
- 8 PCS M12 SCREW CAP
- 8 PCS BOLT AND CHAIN

BOLT AND CHAIN

5

REINFORCEMANT INSTALLATION



BOLT + CHAIN
LONG ONE

POS.12

POS.6

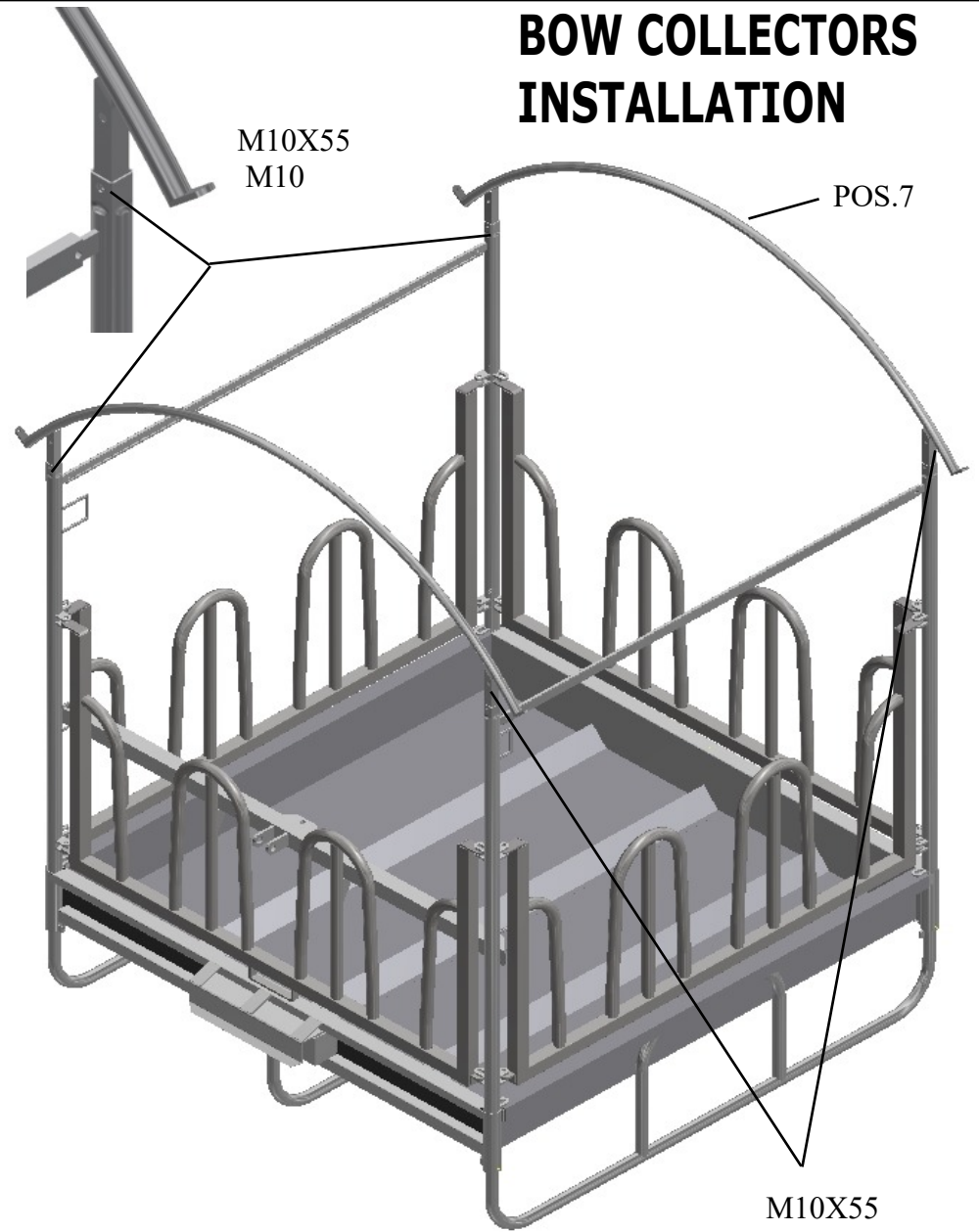
4 PCS M10x25

4 PCS M10

1 PCS BOLT + CHAIN(LONG ONE)

6

BOW COLLECTORS INSTALLATION



M10X55
M10

POS.7

4 PCS M10x55

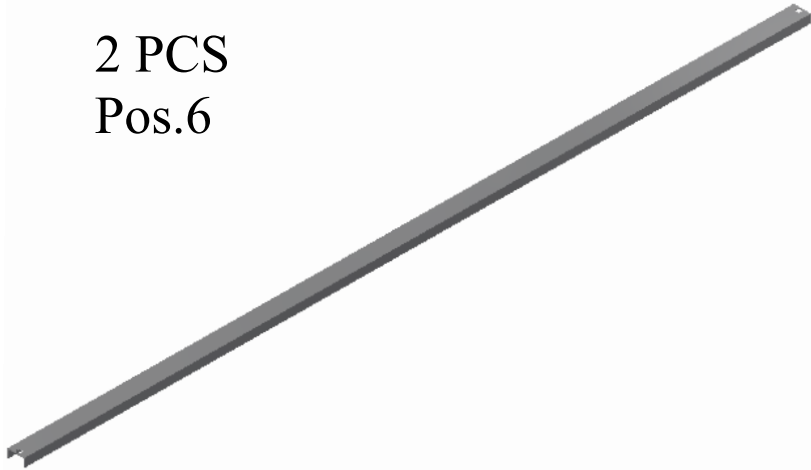
4 PCS .M10

M10X55
M10

7

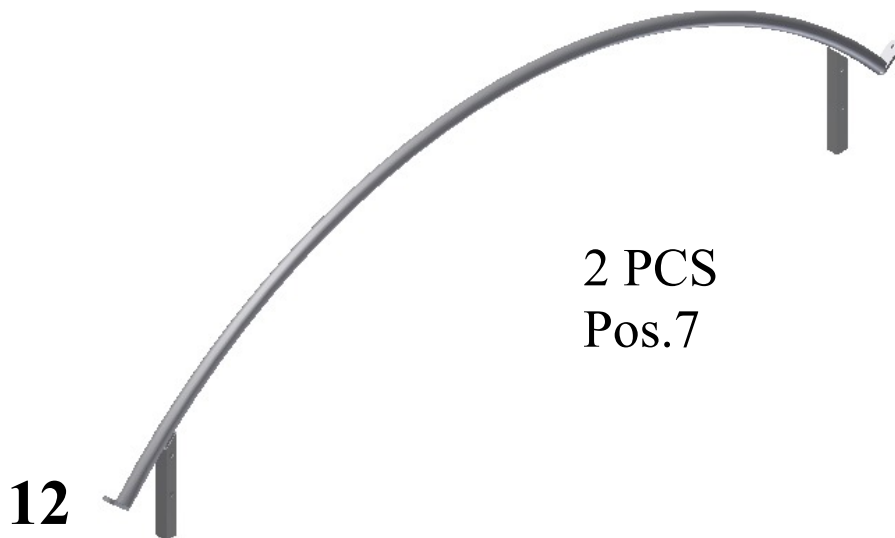
REINFORCEMANT

2 PCS
Pos.6



BOW COLLECTORS

2 PCS
Pos.7

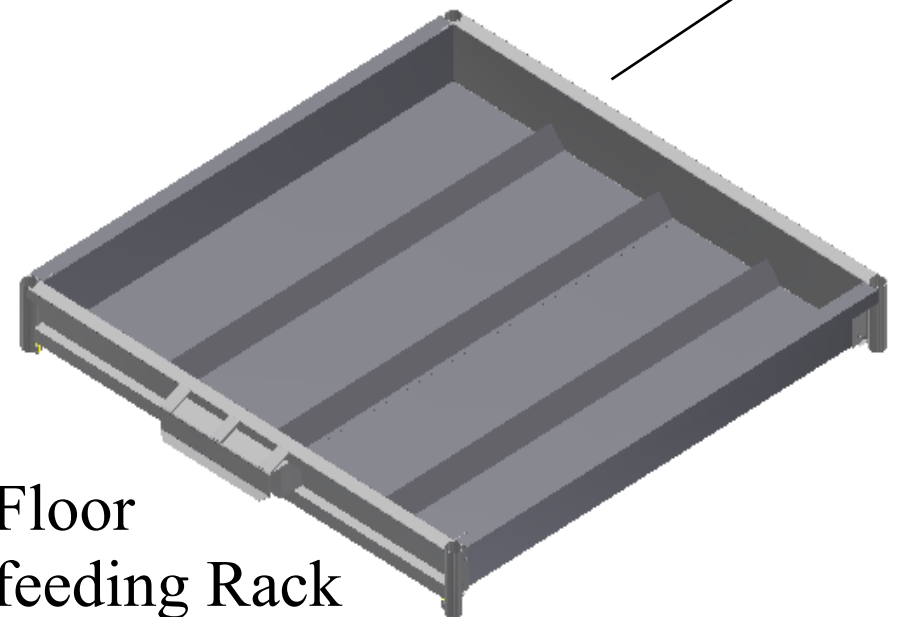


12

M4/12

M10 X 25	14
M10 X 55	4
M12 X 25	4
M12 X 50	8
M10	18
M12	4
M12	8
M8	4
Ø 8	4
HOOK + M8 X 60	4
BOLT ø 12 L-60	8
BOLT ø 12 L-80	1

1 PCS
Pos.1

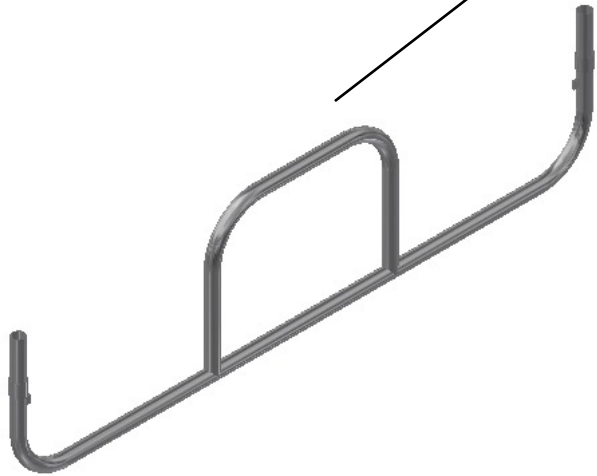


Floor
feeding Rack

9

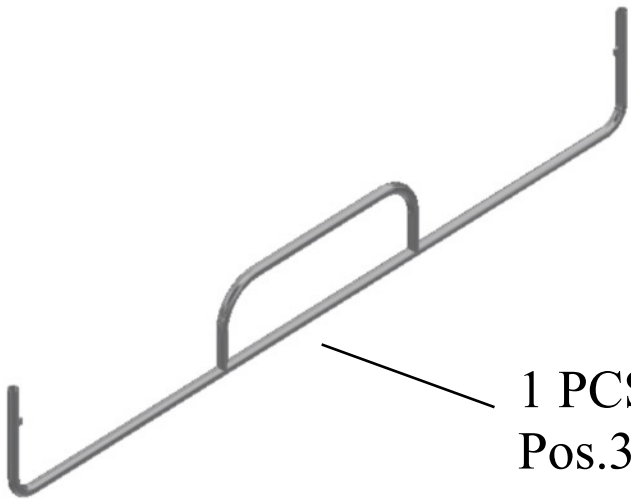
BOBS SIDE

2 PCS
Pos.2



BOBS CENTRAL

1 PCS
Pos.3

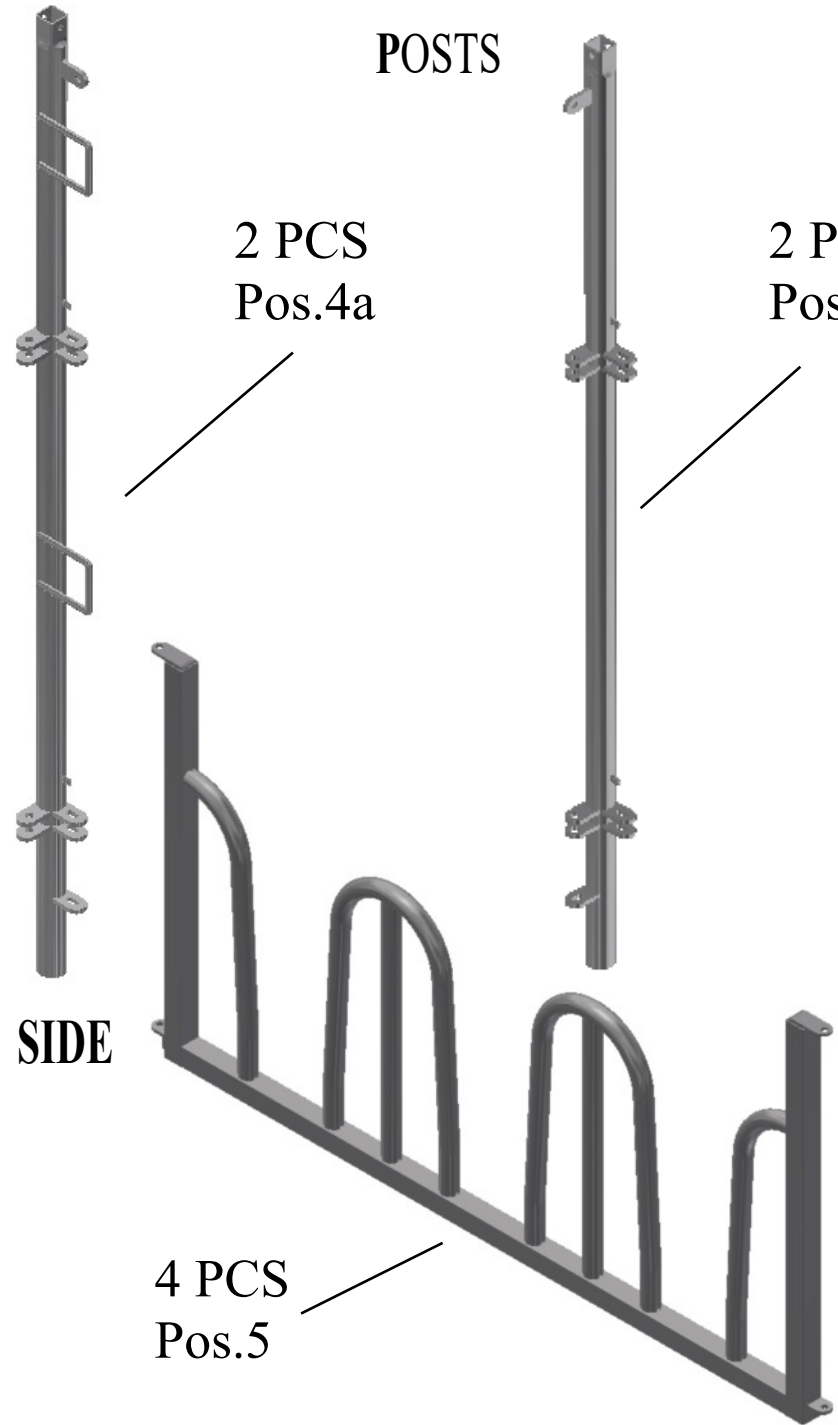


10

POSTS

2 PCS
Pos.4a

2 PCS
Pos.4b

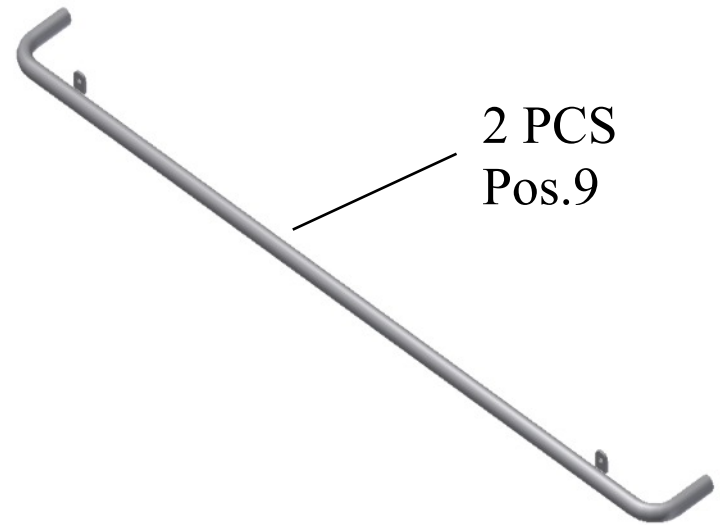
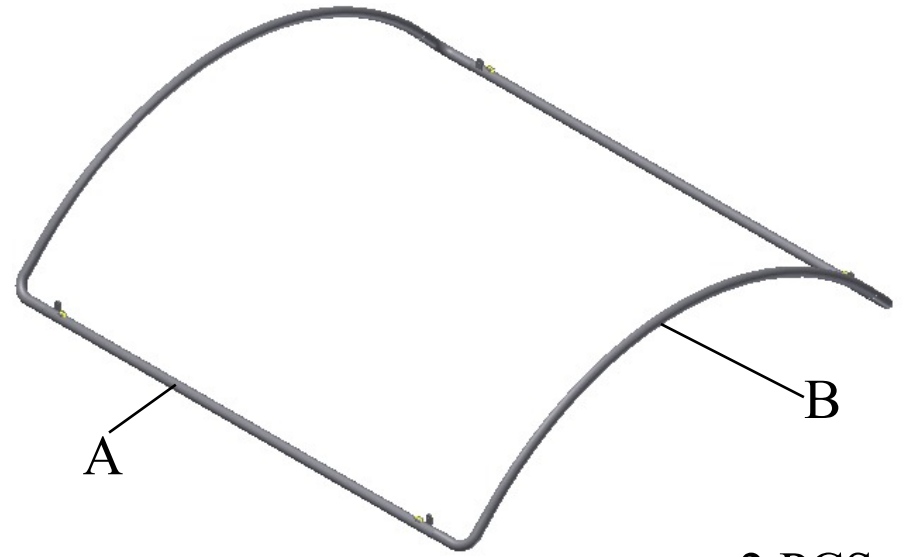


SIDE

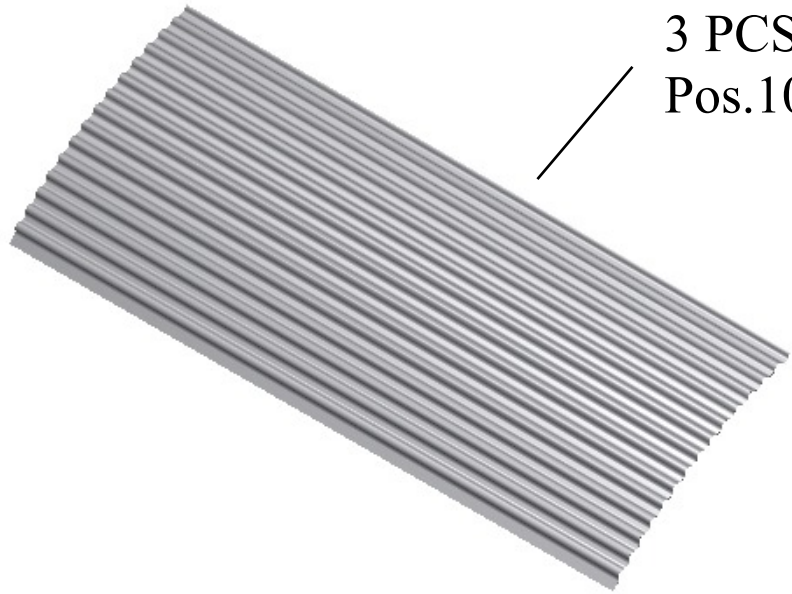
4 PCS
Pos.5

11

ROOFF

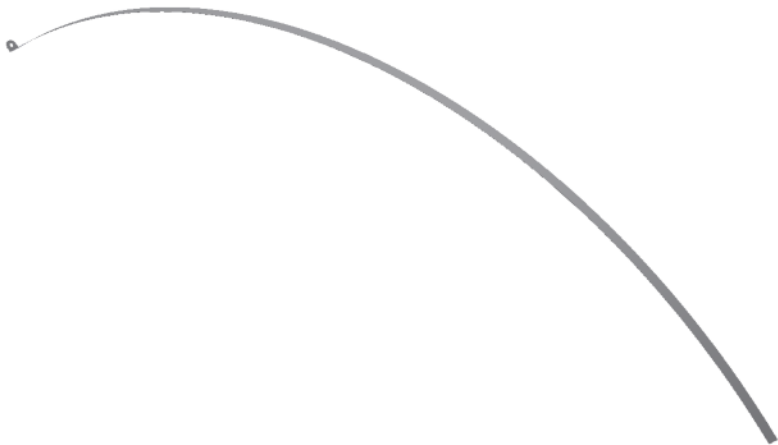


ROOFF



3 PCS
Pos.10

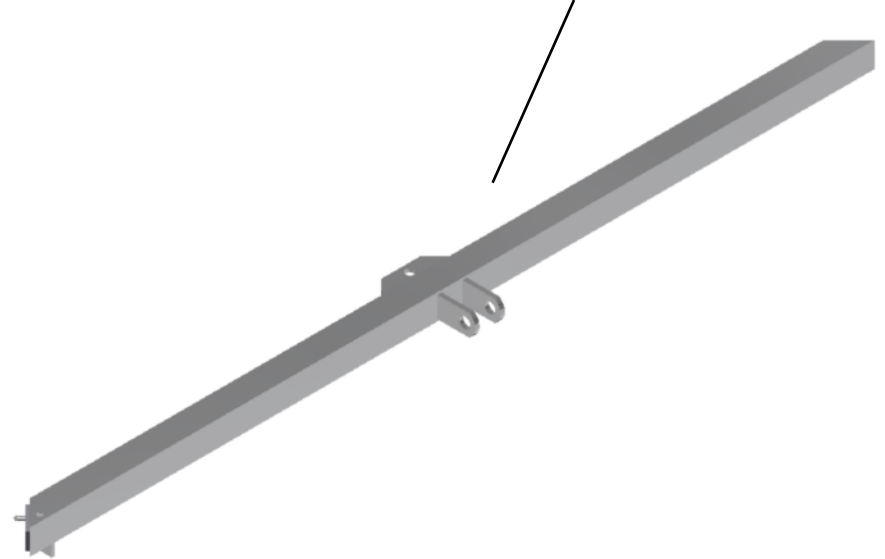
BAND ROOFF



2 PCS
Pos.11

14

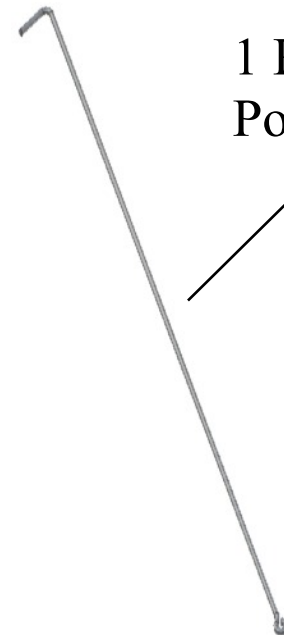
BEAM



1 PCS
Pos.12

HOOK

1 PCS
Pos.13



15